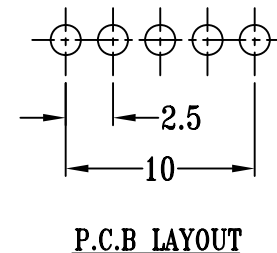
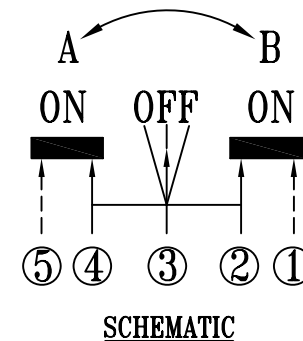
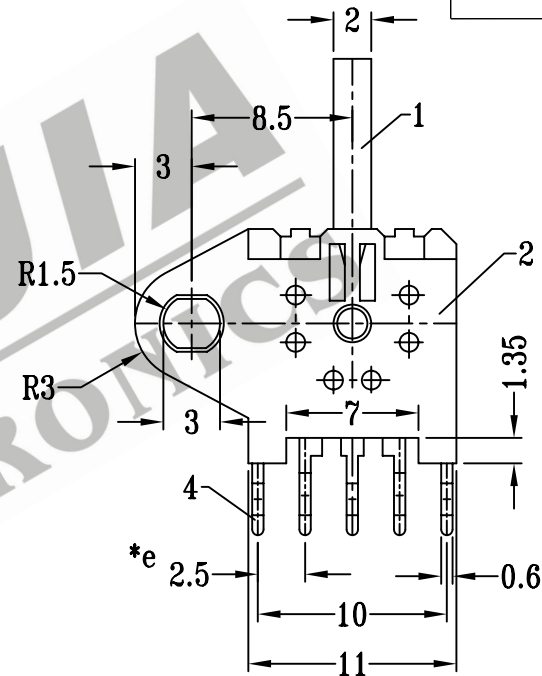
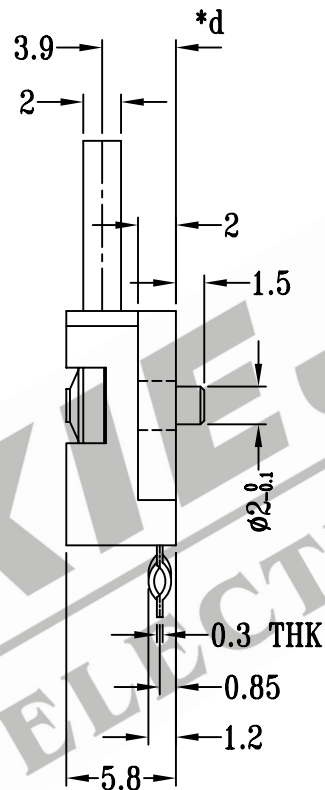
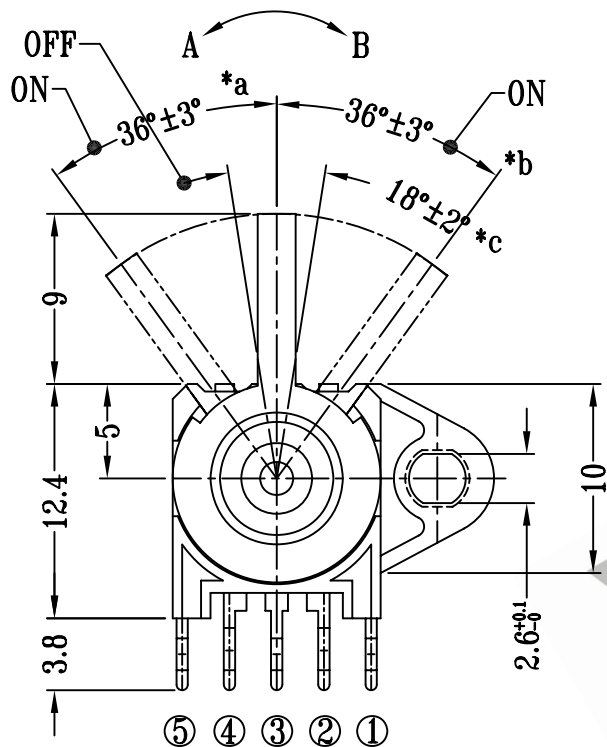


CAD FILE:



注：“*”表示关键尺寸（5个）

NO.	PARTS	MATERIALS	Q'TY	FINISH	TOLERANCE UNLESS SPECIFIED	SHENZHEN XIEJIA ELECTRONICS CO.,LTD.				
8										
7										
6	SPRING	SUS304	1	NATURAL	WITHIN: 1.5±0.1mm	ISSUE	DATE	DESCRIPTIONS OF REVISION		APPD.
5	CONTACT	PBS	1	Ag CLAD	OVER : 1.5±0.2mm					
4	TERMINAL	BRASS STRIP	5	Ag PLATED OVER Ni PLATED	TITLE : CD ROM SWITCH		UNIT : mm	DRWG NO.: XJ-DR-CDR3303-00		
3	WASHER	SUS301-3/4H	1	WASHING	MODEL: CDR-3303		SCALE: 5:2	DWN.	ZHOUYU	2001-12-26
2	CASE	PBT+94V0+30%GLASS(3316)	1	BLACK	ALL MATERIALS MUST BE COMPLIANT TO ROHS			CHK'D	FANGYING	2001-12-26
1	LEVER	POM	1	WHITE				APPD.	KANGXINAN	2001-12-26